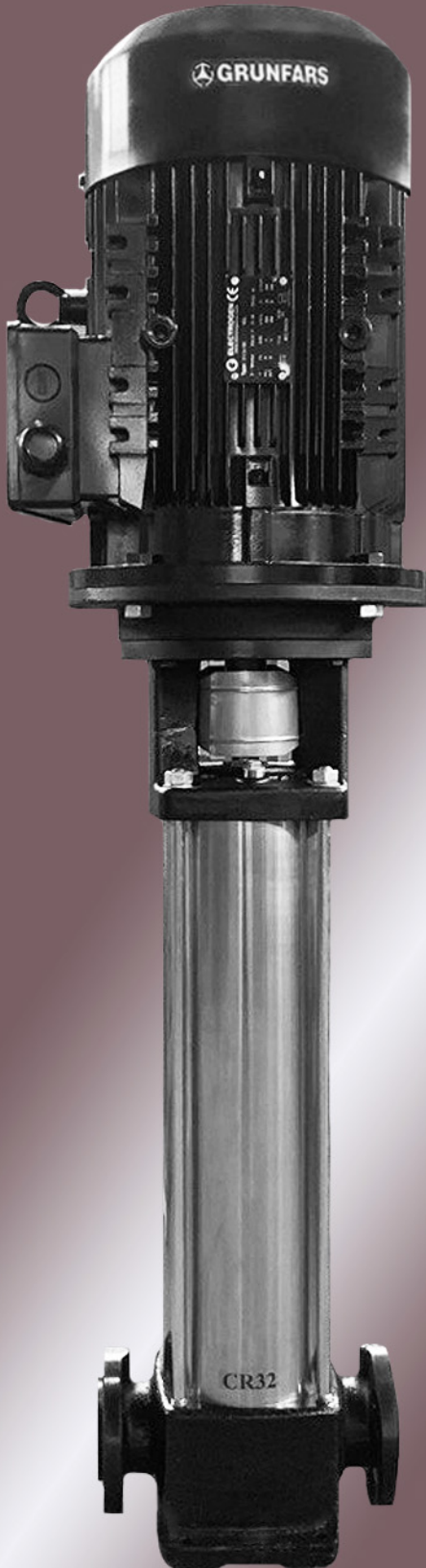


Midd, East

**GRUNFARS**

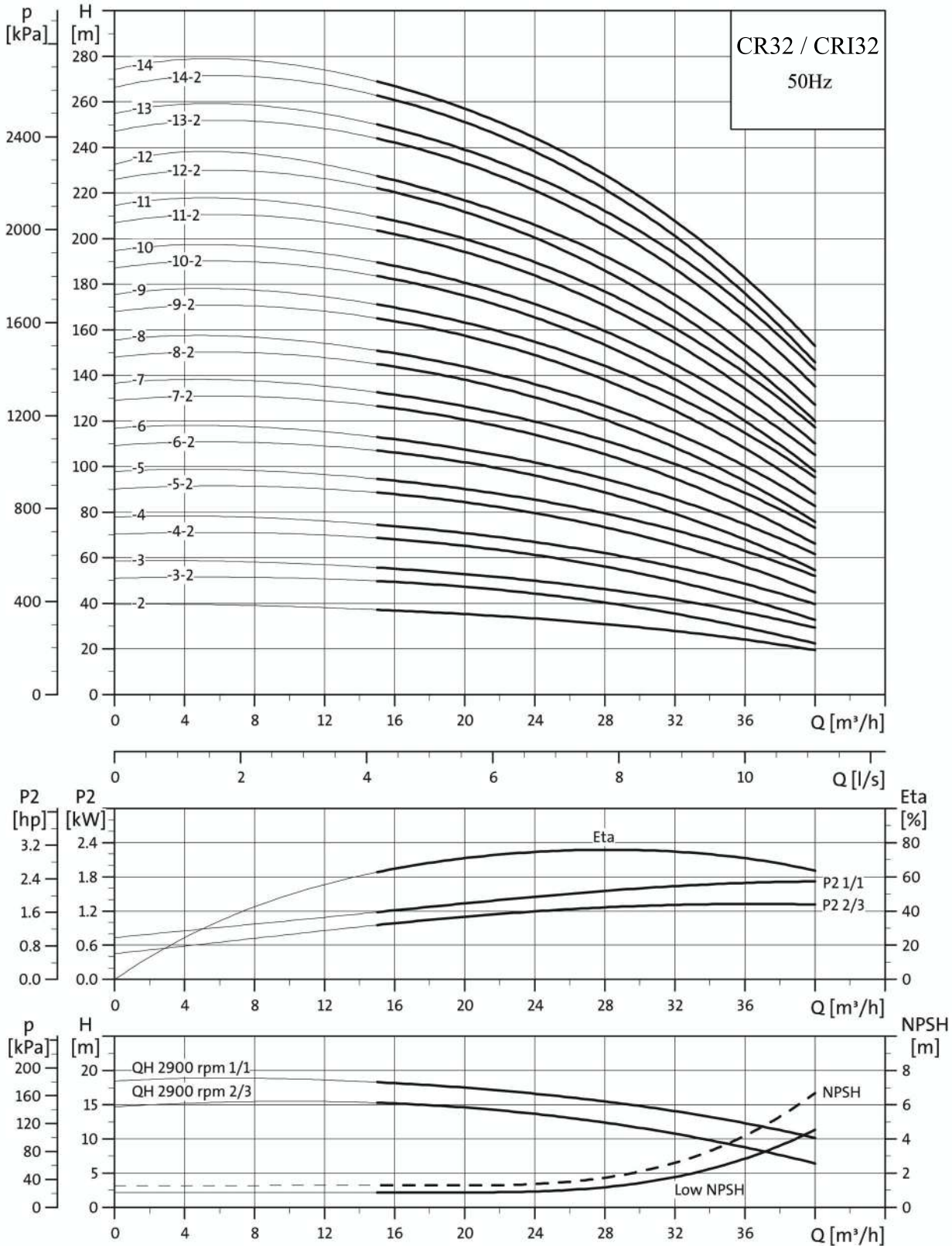
**Pumps**

**CR32 & CRI32 SERIES**

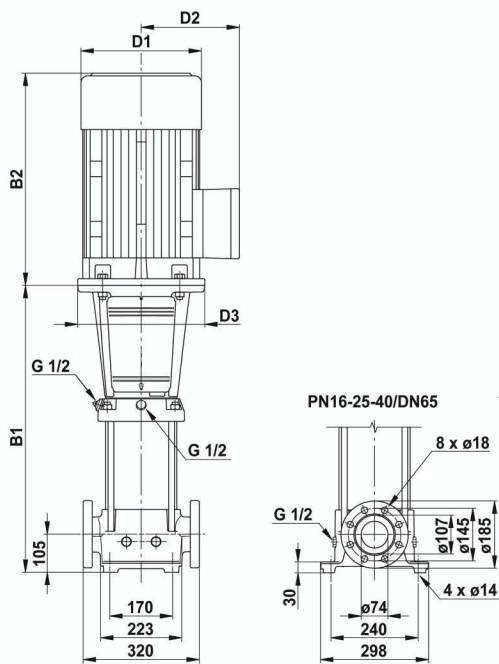




## Performance curves



## Dimensional sketches



## Dimensions and weights

Pump type	Dimensions [mm]						Net weight [kg]
	B1	B2	B1 + B2	D1	D2	D3	
CR32-2	575	372	947	220	134	158	98
CR32-3-2	645	391	1036	220	134	298	107
CR32-3	645	391	1036	220	134	298	107
CR32-4-2	715	391	1106	220	134	298	115
CR32-4	715	391	1106	220	134	298	115
CR32-5-2	895	464	1359	260	172	350	156
CR32-5	895	464	1359	260	172	350	156
CR32-6-2	965	464	1429	260	172	350	160
CR32-6	965	464	1429	260	172	350	160
CR32-7-2	1035	478	1513	306	197	350	197
CR32-7	1035	478	1513	306	197	350	197
CR32-8-2	1105	478	1583	306	197	350	201
CR32-8	1105	478	1583	306	197	350	201
CR32-9-2	1175	478	1653	306	197	350	215
CR32-9	1175	478	1653	306	197	350	215
CR32-10-2	1245	478	1723	306	197	350	219
CR32-10	1245	478	1723	306	197	350	219
CR32-11-2	1315	600	1915	364	269	350	276
CR32-11	1315	600	1915	364	269	350	276
CR32-12-2	1385	600	1985	364	269	350	280
CR32-12	1385	600	1985	364	269	350	280
CR32-13-2	1455	667	2122	404	306	400	362
CR32-13	1455	667	2122	404	306	400	362
CR32-14-2	1525	667	2192	404	306	400	366
CR32-14	1525	667	2192	404	306	400	366

## Electrical data

3 x 380-415 V, 50 Hz

Pump type	Motor P <sub>2</sub> [kW]	Full load current I <sub>1/1</sub> [A]	Power factor Cos φ 1/1	Motor efficiency η [%]	I <sub>start</sub> I <sub>1/1</sub>
CR32-2	4.0	8.00	0.90-0.87	87.0	8.7-9.5
CR32-3-2	5.5	11.0	0.89-0.86	88.5	8.9-9.7
CR32-3	5.5	11.0	0.89-0.86	88.5	8.9-9.7
CR32-4-2	7.5	15.2	0.87-0.81	89.0	9.1-9.9
CR32-4	7.5	15.2	0.87-0.81	89.0	9.1-9.9
CR32-5-2	11.0	21.5	0.91-0.87	85.0	7.3-8.0
CR32-5	11.0	21.5	0.91-0.87	85.0	7.3-8.0
CR32-6-2	11.0	21.5	0.91-0.87	85.0	7.3-8.0
CR32-6	11.0	21.5	0.91-0.87	85.0	7.3-8.0
CR32-7-2	15.0	28.7	0.87	86.0	6.0
CR32-7	15.0	28.7	0.87	86.0	6.0
CR32-8-2	15.0	28.7	0.87	86.0	6.0
CR32-8	15.0	28.7	0.87	86.0	6.0
CR32-9-2	18.5	35.9-34.1	0.86	87.0	7.2
CR32-9	18.5	35.9-34.1	0.86	87.0	7.2
CR32-10-2	18.5	35.9-34.1	0.86	87.0	7.2
CR32-10	18.5	35.9-34.1	0.86	87.0	7.2
CR32-11-2	22.0	42.0-40.0	0.86	89.2	7.3
CR32-11	22.0	42.0-40.0	0.86	89.2	7.3
CR32-12-2	22.0	42.0-40.0	0.86	89.2	7.3
CR32-12	22.0	42.0-40.0	0.86	89.2	7.3
CR32-13-2	30.0	56.0-52.0	0.88	91.7	7.5
CR32-13	30.0	56.0-52.0	0.88	91.7	7.5
CR32-14-2	30.0	56.0-52.0	0.88	91.7	7.5
CR32-14	30.0	56.0-52.0	0.88	91.7	7.5