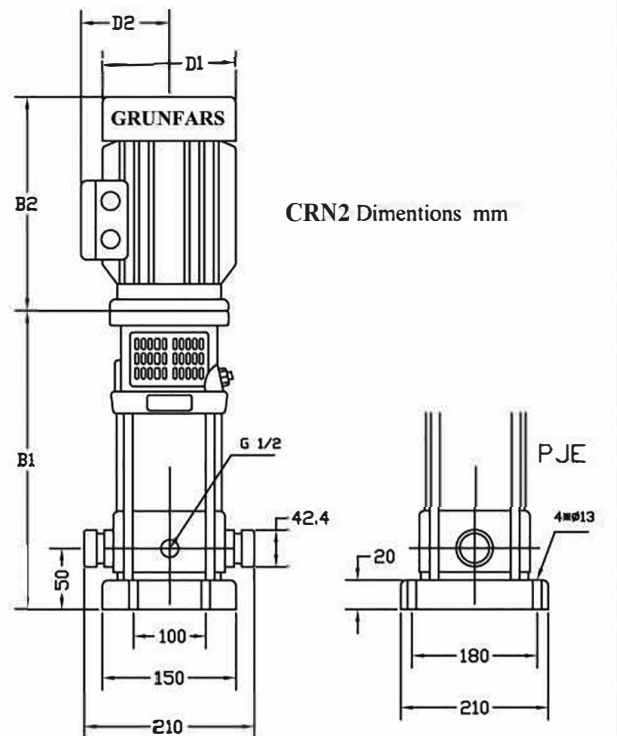
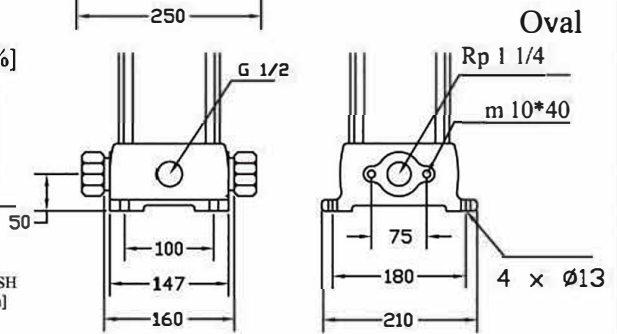
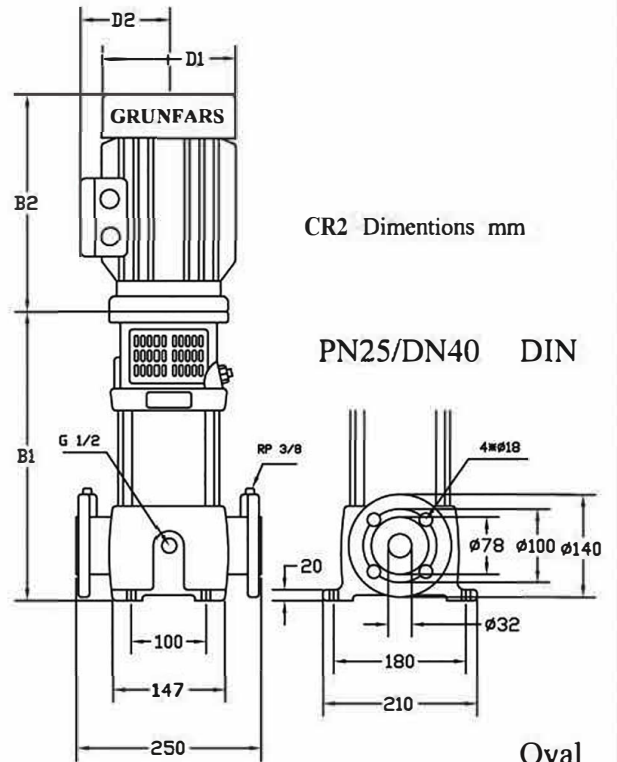
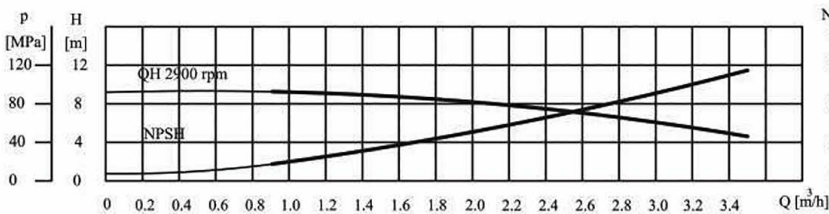
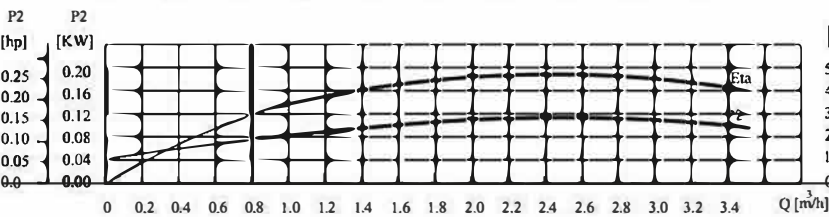
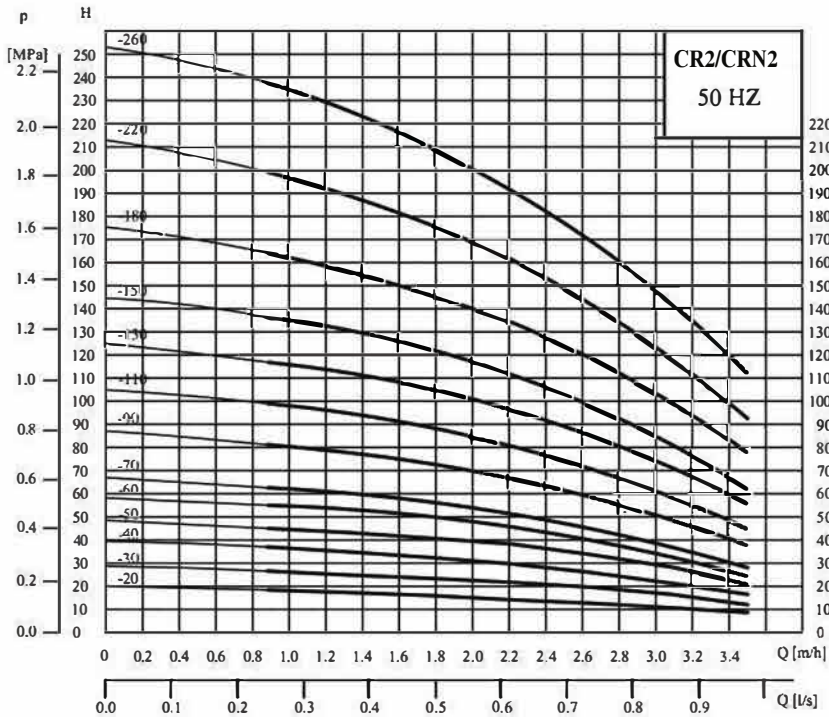


Midd, East  
**GRUNFARS**

**Pumps**

**CR2 & CRI2 SERIES**





Dimensions and weights

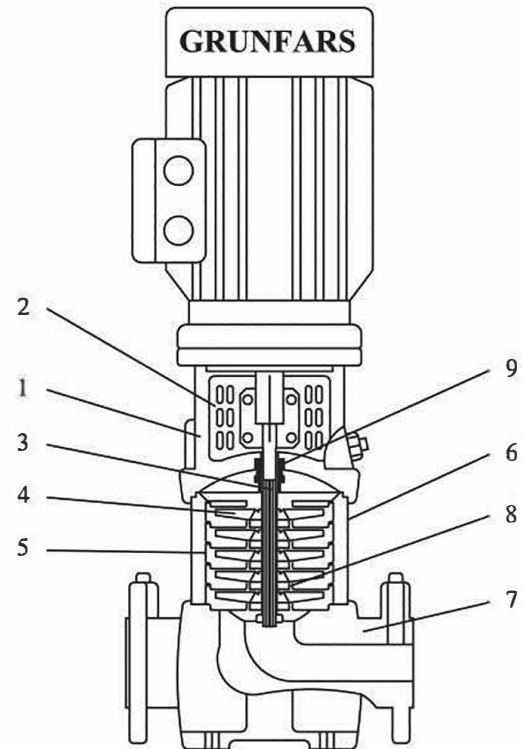
pump type	DIMENSIONS [mm]						Net Weight [kg]		
	* B1	B2	* B1+B2	** B1	** B1+B2	D1	D2	*	**
CR2-20	220	190	410	245	435	140	110	20	25
CR2-30	240	190	430	265	455	140	110	20	25
CR2-40	260	190	450	285	475	140	110	20	25
CR2-50	275	190	465	300	490	140	110	20	25
CR2-60	300	230	530	325	555	140	110	20	25
CR2-70	315	230	545	340	570	140	110	25	30
CR2-90	350	230	580	375	605	140	110	30	35
CR2-110	385	230	615	410	640	140	110	30	35
CR2-130	440	280	720	465	745	180	110	30	35
CR2-150	475	280	755	500	780	180	110	30	35
CR2-180		280		555	835	180	110		50
CR2-220		280		625	905	180	110		55
CR2-260		335		705	1040	180	110		60

\* CR2 With Oval flanges  
 \*\* CR2 With DIN flanges  
 Pipework connection  
 DIN 2566 with threaded socket  
 DIN/2634/2635 with socket for welding  
 \* Oval flange base for pump models CR2-20 to CR2-260  
 \*\* DIN flange base for pump models CR2-20 to CR2-260



## Materials CR2 /CR12

POS. NO.	Description	Materials	DIN W.-NO	AISI / ASTM
1	Pump head	Cast iron GG20	0.6020	ASTM 25B
* 2	Cupling guard	stainless steel	1.4301	AISI 304
3	shaft	stainless steel	1.4401 1.4057	AISI 316 AISI 431
* 4	impeller	stainless steel	1.4301	AISI 304
* 5	intermediate chamber	stainless steel	1.4301	AISI 304
* 6	Outer sleeve	stainless steel	1.4301	AISI 304
	Stay bolts	stainless steel or steel 50	1.4057 1.0531	AISI 431
* 7	Base	Cast iron GG20	0.6020	ASTM 25B
8	Neck ring	Teflon		
9	shaft seal	Tungesten carbide Silicon carbide		
	Rubber parts in pump	EPDM or FPM (viton)		



Material for Position No. Marked \* in CR2 Type is -Stainless Steel (1.4401 AISI 316)

## Electrical Data

pump type	Motor		Full load current I l/1 [ A ]	Power Factor Cosφ l/1	Motor Efficiency n [ % ]	$\frac{I_{start}}{I_{l/1}}$
	[ KW ]	[ hp ]				
CR2-20	0.37	0.5	0.96	0.84-0.76	72	4.8-5.2
CR2-30	0.37	0.5	0.96	0.84-0.76	72	4.8-5.2
CR2-40	0.55	0.75	1.44	0.84-0.76	72	4.8-5.2
CR2-50	0.55	0.75	1.44	0.84-0.76	72	4.8-5.2
CR2-60	0.75	1.0	1.86	0.86-0.78	74	5.0-5.5
CR2-70	0.75	1.0	1.86	0.86-0.78	74	5.0-5.5
CR2-90	1.1	1.5	2.65	0.87-0.79	76	5.2-5.7
CR2-110	1.1	1.5	2.65	0.87-0.79	76	5.2-5.7
CR2-130	1.5	2.0	3.4	0.85-0.79	82	6.3-6.9
CR2-150	1.5	2.0	3.4	0.85-0.79	82	6.3-6.9
CR2-180	2.2	3.0	4.75	0.87-0.82	84	7.0-7.5
CR2-220	2.2	3.0	4.75	0.87-0.82	84	7.0-7.5
CR2-260	3.0	4.0	6.25	0.88-0.82	86	7.8-8.5

## Single phase motors 1×240 v, 50HZ

Motor rating	Full load current amps	Locked Rotor Current Ratio
0.37 kw	3.8	4.0
0.55 kw	5.2	4.2
0.75 kw	6.2	4.0
1.1 kw	7.5	5.2
1.5 kw	9.5	6.0
2.2 kw	14.5	5.0

Motors : Eenclosure clas IP55  
Standard 50HZ voltages available:  
3x220-240/380-415 V-motors up to 3kw  
3x380-415V-motors from 4kw and upwards  
1x240V-motors up to 2.2kw  
Motors for other voltages available on request  
All motors must be connected to a motor starter-  
in accordance with local regulations