

Midd, East

**GRUNFARS**

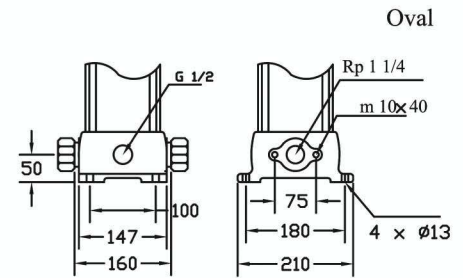
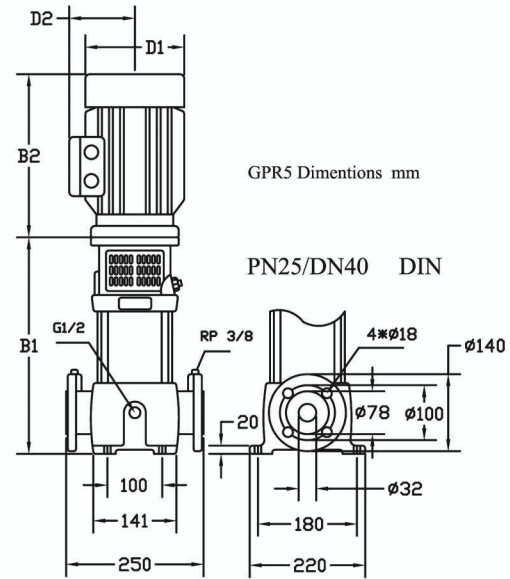
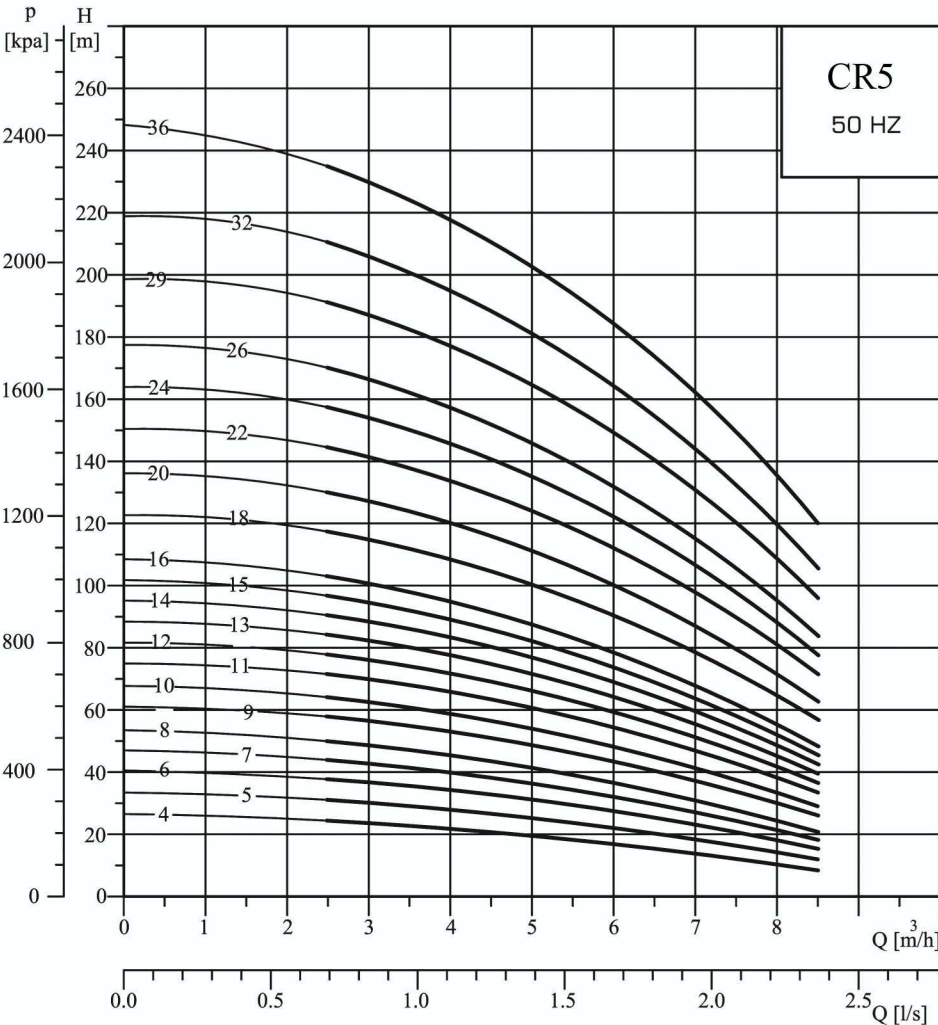
**Pumps**

**CR5 & CRI5 SERIES**



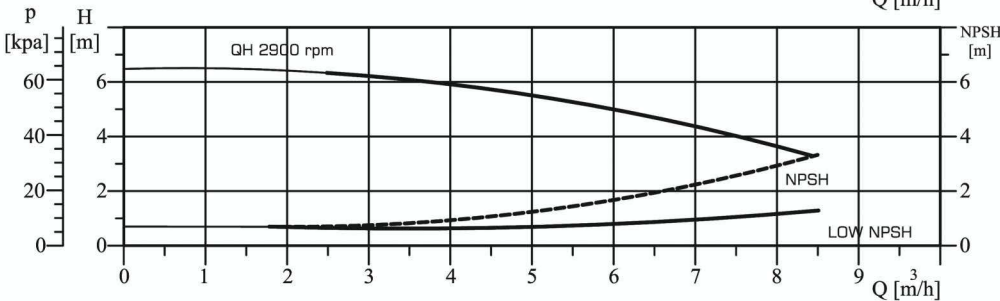
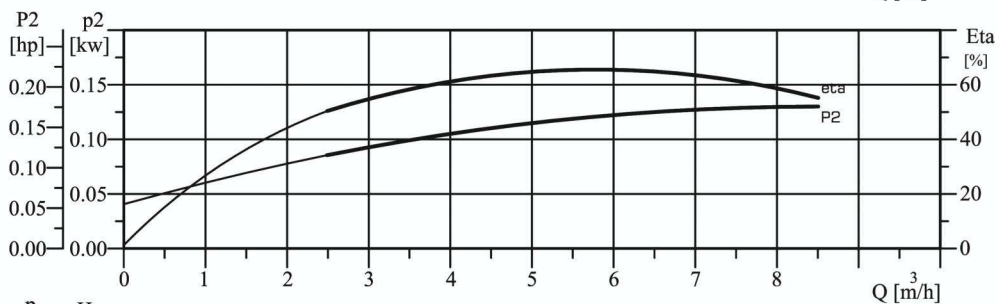


## CR5 / CR15



Dimensions and weights

pump type	Dimensions [mm]						Net Weight [kg]		
	* B1	B2	* B1+B2	** B1	** B1+B2	D1	D2	*	**
CR5-4	310	191	501	335	526	141	109	19.7	23.8
CR5-5	341	231	572	366	597	141	109	22.6	26.7
CR5-6	368	231	599	393	624	141	109	24.6	28.7
CR5-7	395	231	626	420	651	141	109	25.3	29.4
CR5-8	422	231	653	447	678	141	109	26.1	30.2
CR5-9	465	281	746	490	771	178	110	32.4	36.5
CR5-10	492	281	773	517	798	178	110	32.8	36.9
CR5-11	519	281	800	544	825	178	110	35.1	39.2
CR5-12	546	281	827	571	852	178	110	35.5	39.6
CR5-13	573	281	854	598	879	178	110	36.1	40.2
CR5-14	600	281	881	625	906	178	110	36.8	40.9
CR5-15	627	281	908	652	933	178	110	37.4	41.5
CR5-16	654	281	935	679	960	178	110	38.0	42.1
CR5-18	712	335	1047	737	1072	178	110	44.8	48.9
CR5-20	766	335	1101	791	1126	178	110	46.1	50.2
CR5-22	820	372	1192	845	1217	220	134	55.8	59.9
CR5-24	-	372	-	899	1271	220	134	-	62.0
CR5-26	-	372	-	953	1325	220	134	-	63.3
CR5-29	-	372	-	1034	1406	220	134	-	65.2
CR5-32	-	391	-	1145	1536	220	134	-	80.0
CR5-36	-	391	-	1253	1644	220	134	-	82.6



\* CR5 With Oval flanges

\*\* CR5 With DIN flanges

Pipework connection

DIN 2566 with threaded socket

DIN/2634/2635 with socket for welding

\* Oval flange base for pump models CR5-4 to CR5-22

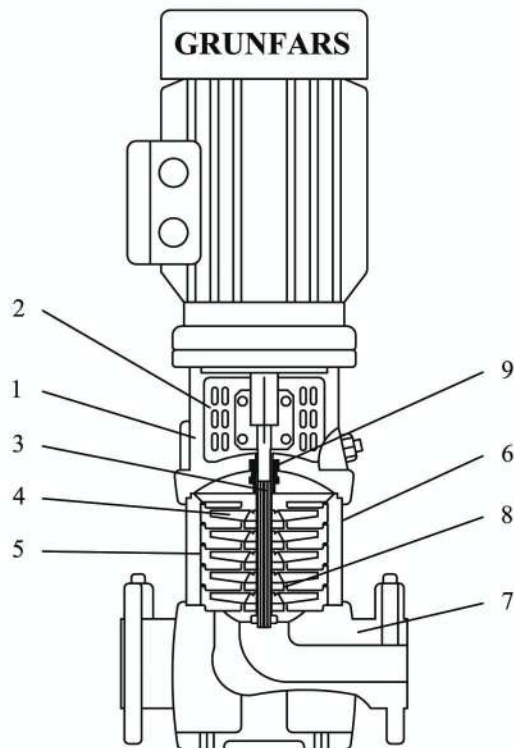
\*\* DIN flange base for pump models CR5-4 to CR5-36





## Materials CR5 / CRI5

POS. NO.	Description	Materials	DIN W.-NO	AISI / ASTM
1	Pump head	Cast iron GG20	0.6020	ASTM 25B
* 2	Cupling guard	stainless steel	1.4301	AISI 304
3	shaft	stainless steel	1.4401 1.4057	AISI 316 AISI 431
* 4	impeller	stainless steel	1.4301	AISI 304
* 5	intermediate chamber	stainless steel	1.4301	AISI 304
* 6	Outer sleeve	stainless steel	1.4301	AISI 304
	Stay bolts	stainless steel or steel 50	1.4057 1.0531	AISI 431
* 7	Base	Cast iron GG20	0.6020	ASTM 25B
8	Neck ring	Teflon		
9	shaft seal	Tungsten carbide Silicon carbide		
	Rubber parts in pump	EPDM or FPM (viton)		



Material for Position No. Marked \* in GPRN Type is -  
Stainless Steel (1.4401 AISI 316)

## Electrical Data

pump type	Motor		Full load current I <sub>l</sub> [ A ]	Power Factor Cosφ 1/1	Motor Efficiency η [ % ]	$\frac{I_{start}}{I_{l/1}}$
	[ KW ]	[ hp ]				
CR5-4	0.75	1.0	1.86	0.86-0.78	74	5.0-5.5
CR5-5	0.75	1.0	1.86	0.84-0.76	74	5.0-5.5
CR5-6	1.1	1.5	2.65	0.87-0.79	76	5.2-5.7
CR5-7	1.1	1.5	2.65	0.87-0.79	76	5.2-5.7
CR5-8	1.1	1.5	2.65	0.87-0.79	76	5.2-5.7
CR5-9	1.5	2.0	3.4	0.85-0.79	82	6.3-6.9
CR5-10	1.5	2.0	3.4	0.85-0.79	82	6.3-6.9
CR5-11	2.2	3.0	4.75	0.87-0.82	84	7.0-7.6
CR5-12	2.2	3.0	4.75	0.87-0.82	84	7.0-7.6
CR5-13	2.2	3.0	4.75	0.87-0.82	84	7.0-7.6
CR5-14	2.2	3.0	4.75	0.87-0.82	84	7.0-7.6
CR5-15	2.2	3.0	4.75	0.87-0.82	84	7.0-7.6
CR5-16	2.2	3.0	4.75	0.87-0.82	84	7.0-7.6
CR5-18	3.0	4.0	6.25	0.88-0.82	86	7.8-8.5
CR5-20	3.0	4.0	6.25	0.88-0.82	86	7.8-8.5
CR5-22	4.0	5.5	8.00	0.90-0.87	87	8.7-9.5
CR5-24	4.0	5.5	8.00	0.90-0.87	87	8.7-9.5
CR5-26	4.0	5.5	8.00	0.90-0.87	87	8.7-9.5
CR5-29	4.0	5.5	8.00	0.90-0.87	87	8.7-9.5
CR5-32	5.5	7.5	11.0	0.89-0.86	88.5	8.9-9.7
CR5-36	5.5	7.5	11.0	0.89-0.86	88.5	8.9-9.7